



# PRODUCT DATA SHEET

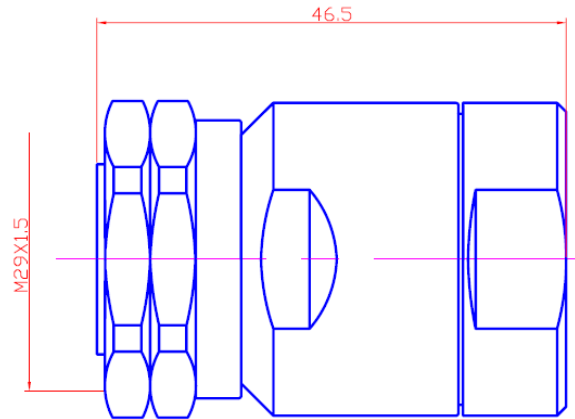
## Coaxial Cable Connect: DIN-M7/8

### Description

DIN(M) Connector for 7/8" Cable

### Suitable standard

IEC 60169-4



### MATERIALS & PLATING

	Description	Material	Surface Plating	Remark
1	Shell/Body	BRASS	Nickel or Tri-Allory	
2	Center Conductor	BRASS	Gold or Silver	
3	Insulator	PTFE		

### ELECTRICAL CHARACTERISTICS

	Item	Technical Data
1	Impedance	50Ω
2	Frequency range max	DC-3 GHz
3	Contact Resistance	Center conductor ≤ 0.4mΩ, Outer conductor ≤ 1mΩ
4	Insulation Resistance	≥ 10000MΩ
5	VSWR	DC~3GHz ≤ 1.1

### MECHANICAL CHARACTERISTICS

1	Durability	≥ 500 cycles
---	------------	--------------

### ENVIRONMENTAL CHARACTERISTICS

1	Temperature range	Cable: - 40°C to +100 °C
---	-------------------	--------------------------