



# PRODUCT DATA SHEET

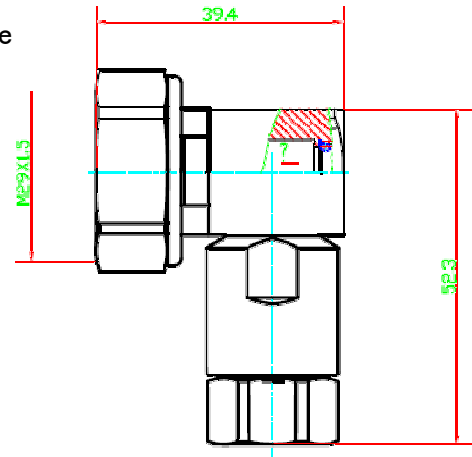
## Coaxial Cable Connect: DIN-MW1/2Sa

### Description

DIN(M) Right Angle Connector for 1/2" Superflex Cable

### Suitable standard

IEC 60169-4



### MATERIALS & PLATING

	Description	Material	Surface Plating	Remark
1	Shell/Body	BRASS	Nickel or Tri-Allory	
2	Center Conductor	Phosphor bronze	Gold or Silver	
3	Insulator	PTFE		

### ELECTRICAL CHARACTERISTICS

	Item	Technical Data
1	Impedance	50Ω
2	Frequency range max	DC-3 GHz
3	Contact Resistance	Center conductor ≤ 0.4mΩ, Outer conductor ≤ 1mΩ
4	Insulation Resistance	≥ 10000MΩ
5	VSWR	DC~3GHz < 1.15
6	Dielectric Withstanding Voltage	4000V RMS, 50Hz, at sea level

### MECHANICAL CHARACTERISTICS

1	Durability	≥ 500 cycles
---	------------	--------------

### ENVIRONMENTAL CHARACTERISTICS

1	Temperature range	Cable: - 40°C to +85 °C
---	-------------------	-------------------------