



# PRODUCT DATA SHEET

## Coaxial Cable Connector: DIN/N-50MM

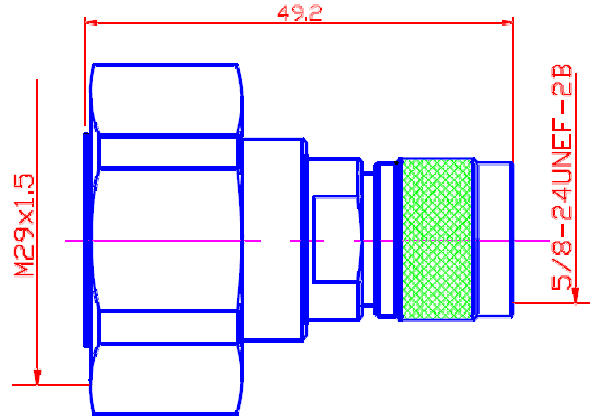
### Description

DIN(M) to N(M) Adapter

### Suitable standard

IEC 60169-16 For N

IEC 60169-4 For DIN



### MATERIALS & PLATING

	Description	Material	Surface Plating	Remark
1	Shell/Body	BRASS	Nickel or Tri Allory	
2	Centre Conductor	BRASS	Gold or Silver	
3	Coupling nut	BRASS	Nickel or Tri Allory	
4	Insulator	PTFE		
5	O-ring	Silicon Rubber		

### ELECTRICAL CHARACTERISTICS

	Item	Technical Data
1	Impedance	50Ω
2	Frequency range max	DC-3GHz
3	Dielectric Withstanding Voltage	≥ 2500V (RMS), 50MHz, at sea level
4	Insulation Resistance	≥ 5000MΩ
5	VSWR	DC~3GHz < 1.08

### MECHANICAL CHARACTERISTICS

1	Durability	≥ 500 cycles
---	------------	--------------

### ENVIRONMENTAL CHARACTERISTICS

1	Temperature range	Cable: - 40°C to +85 °C
---	-------------------	-------------------------