



# PRODUCT DATA SHEET

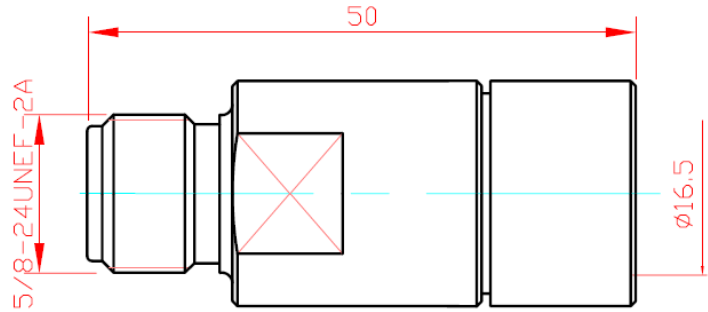
## Coaxial Cable Connector: N-K1/2-2

### Description

N(F) Connector For 1/2" Cable

### Suitable standard

IEC 60169-16



### MATERIALS & PLATING

	Description	Material	Surface Plating	Remark
1	Shell/Body	BRASS	Nickel or Tri Allory	
2	Centre Conductor	Phosphor bronze	Gold or Silver	
3	Insulator	PTFE		

### ELECTRICAL CHARACTERISTICS

	Item	Technical Data
1	Impedance	50Ω
2	Frequency range max	DC-3GHz
3	Dielectric Withstanding Voltage	2500V (RMS), 50MHz, at sea level
4	Contact Resistance	Center conductor ≤ 1mΩ, Outer conductor ≤ 0.25mΩ
5	Insulation Resistance	≥ 5000MΩ
6	VSWR	DC~3GHz ≤ 1.1

### MECHANICAL CHARACTERISTICS

1	Durability	≥ 500 cycles
---	------------	--------------

### ENVIRONMENTAL CHARACTERISTICS

1	Temperature range	Cable: - 40°C to +85 °C
---	-------------------	-------------------------