



# PRODUCT DATA SHEET

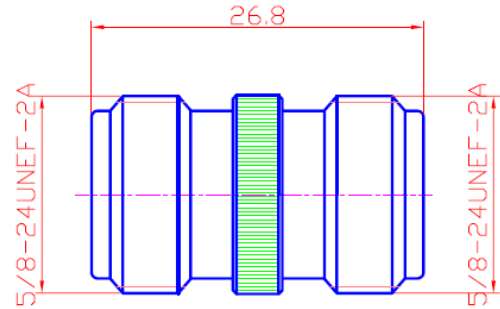
## Coaxial Cable Connector: N/N-50FF

### Description

N(F) to N(F) Adapter

### Suitable standard

IEC 60169-16



### MATERIALS & PLATING

	Description	Material	Surface Plating	Remark
1	Shell/Body	BRASS	Nickel or Tri Allory	
2	Centre Conductor	PHOSPHOR BRONZE	Gold or Silver	
3	Insulator	PTFE		

### ELECTRICAL CHARACTERISTICS

	Item	Technical Data
1	Impedance	50Ω
2	Frequency range max	DC-3GHz
3	Dielectric Withstanding Voltage	≥ 2500V (RMS), 50Hz, at sea level
4	Insulation Resistance	≥ 5000MΩ
5	VSWR	DC~3GHz < 1.08

### MECHANICAL CHARACTERISTICS

1	Durability	≥ 500 cycles
---	------------	--------------

### ENVIRONMENTAL CHARACTERISTICS

1	Temperature range	Cable: - 40°C to +85 °C
---	-------------------	-------------------------