



# PRODUCT DATA SHEET

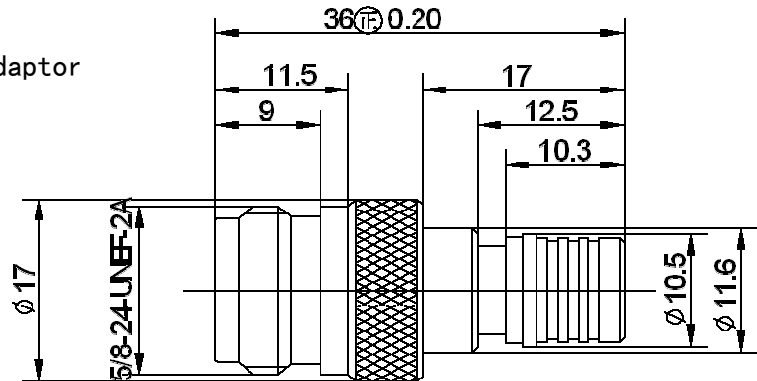
## Adapter: N/QMA-FM

### Description

Straight N female to QMA male Adaptor

### Suitable standard

IEC 60169-16



### MATERIALS & PLATING

	Description	Material	Surface Plating	Remark
1	Shell/Body	BRASS	Nickel	
2	Conductor	BROZINE	Gold	
3	Insulator	PTFE		

### ELECTRICAL CHARACTERISTICS

	Item	Technical Data
1	Impedance	50Ω
2	Frequency range max	DC-3GHz
3	Dielectric Withstanding Voltage	1000V (RMS)
4	Contact Resistance	Center conductor ≤ 3m Ω, Outer conductor ≤ 2.5m Ω
5	Insulation Resistance	≥ 5000MΩ

### MECHANICAL CHARACTERISTICS

1	Mating	N: 5/8-24UNEF-2A, CMA: Snap-on coupling
2	Durability	≥ 500 cycles

### ENVIRONMENTAL CHARACTERISTICS

1	Temperature range	- 40°C to +85 °C
---	-------------------	------------------