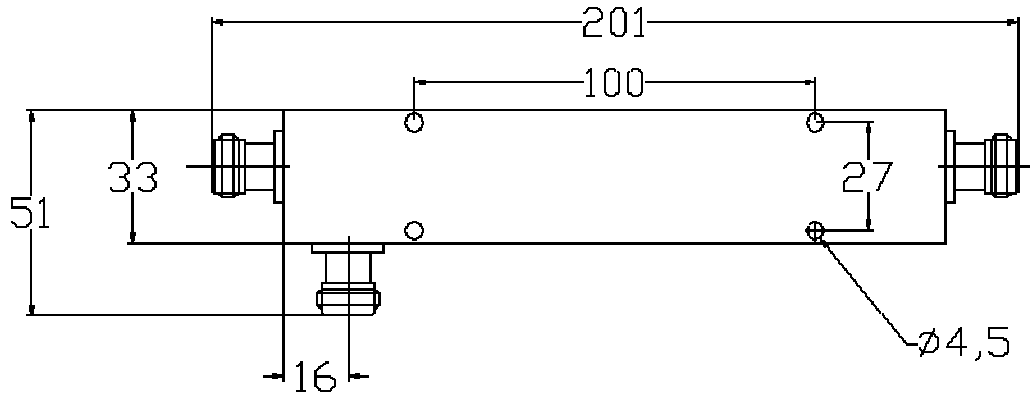




DIRECTIONAL COUPLER FOR 350-800MHz

Model : SUN-DC-38-200-YY-N(F)

Where YY is 6, 10 or 15dB



Model	SUN-DC-38-200-YY-N(F)		
Frequency Range (MHz)	350-800		
Coupling (dB)	6±0.8	10±1.0	15±1.2
Insertion Loss (dB)	≤1.65	≤0.65	≤0.3
Directivity (dB)	≥20		
Power Rating (W)	200		
VSWR	≤1.2		
Impedance (Ohm)	50		
Temperature (deg)	-40~+70		
RF Connector	N(F)		
Weight (g)	200		
Size (mm)	201x51x18		
Color	Black		

Technical data are subjected to change without notice – File: SUN-DC-38-200-YY-N(F) datasheet 2009V2.0