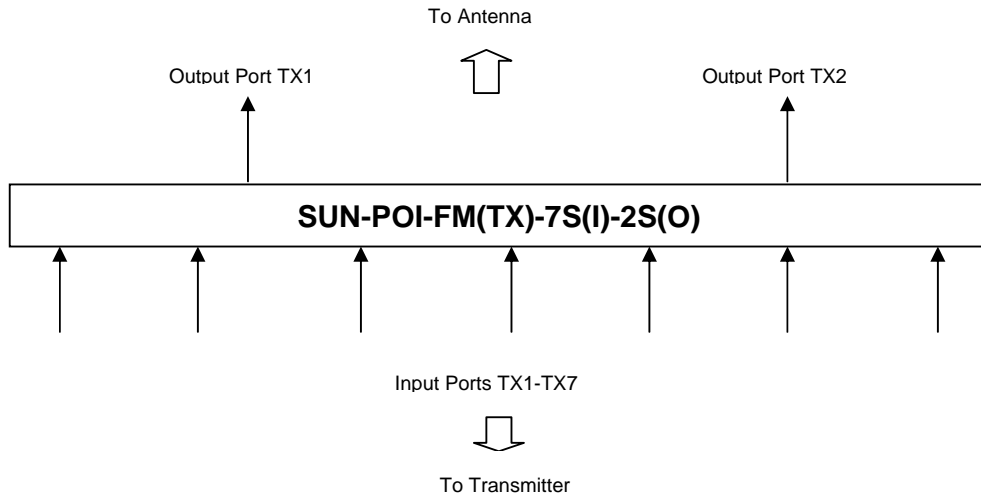




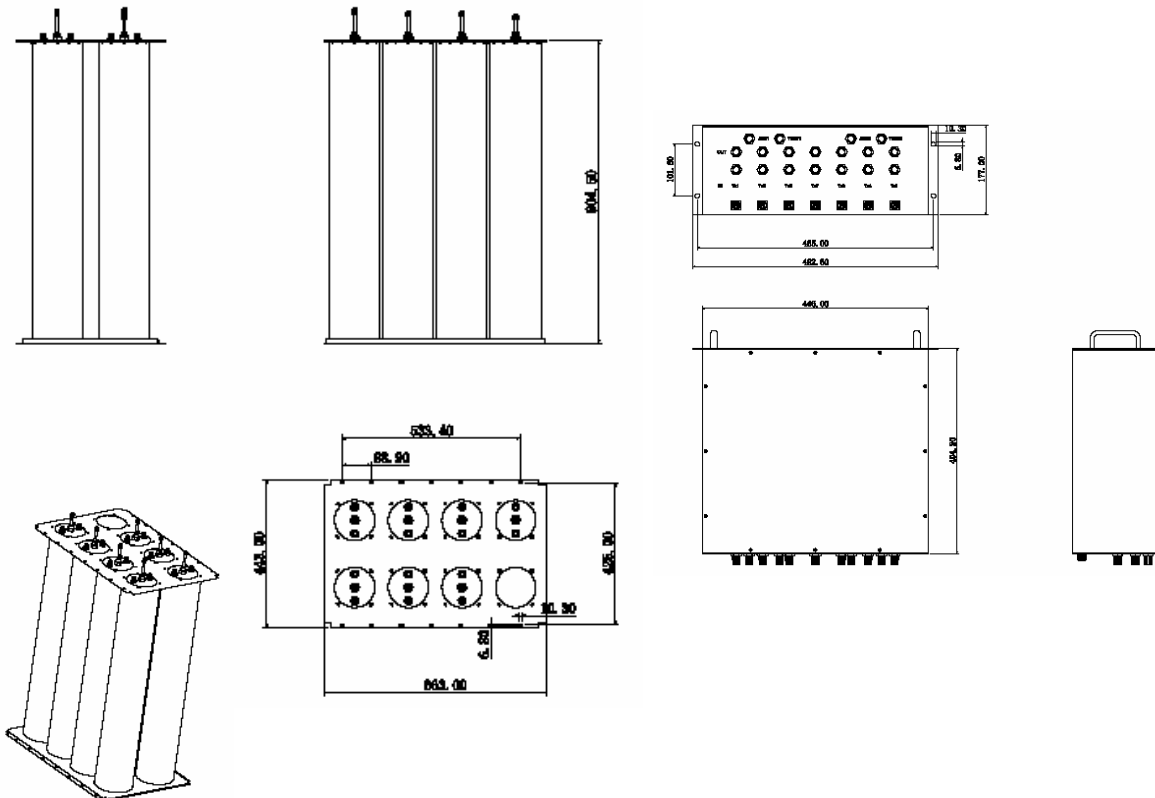
## Sunny FM(TX) POI

Model : SUN-POI-FM(TX)-7S(I)-2S(O)

### A) Block Diagram



### B) Mechanical Drawing





### C. Technical Specification

Model	SUN-POI-FM(TX)-7S(I)-2S(O)
<b>Input Port Frequency Per Port</b>	
TX1	88.1MHz
TX2	90.3MHz
TX3	92.6MHz
TX4	94.8MHz
TX5	97.6MHz
TX6	99.7MHz
TX7	104MHz
<b>Input Bandwidth Per Port</b>	+/- 75KHz (150KHz)
<b>Input Power Per Port</b>	50W
<b>Insertion Loss To Either Output</b>	5.5dB max.
<b>Ripple To Either Output</b>	0.3dB max.
<b>Return Loss</b>	
All Inputs Ports	18dB min.
<b>Input Isolation</b>	
All Input Ports	35dB min.
<b>Output Ports TX1-TX2</b>	
Return Loss	5.6dB typical
Intermodulation Products (2 tones @ +43dBm)	-110dBm max
TX1 and Tx2 Test Port	30+/-1dB + Insertion Loss
<b>Connectors</b>	7/16 Female [N(F) For TX Test Ports]
<b>Impedance</b>	50Ω
<b>Operating Temperature</b>	-10 to 80°C
<b>MTBF</b>	200,000 hours
<b>Material</b>	Casing – Steel With Zinc Coating (Black Color) Front Plate – Aluminium (Silver Color)
<b>Mounting</b>	Rack Mount
<b>Dimensions (DxWxH)</b>	482.6x446x177(4U)mm For Connector Panel 663x443x904.5mm For Filter Banks
<b>Weight</b>	>50kg

Technical data are subjected to change without notice – File : SUN-POI-FM(TX)-7S(I)-2S(O)\_datasheet 2007V1.0