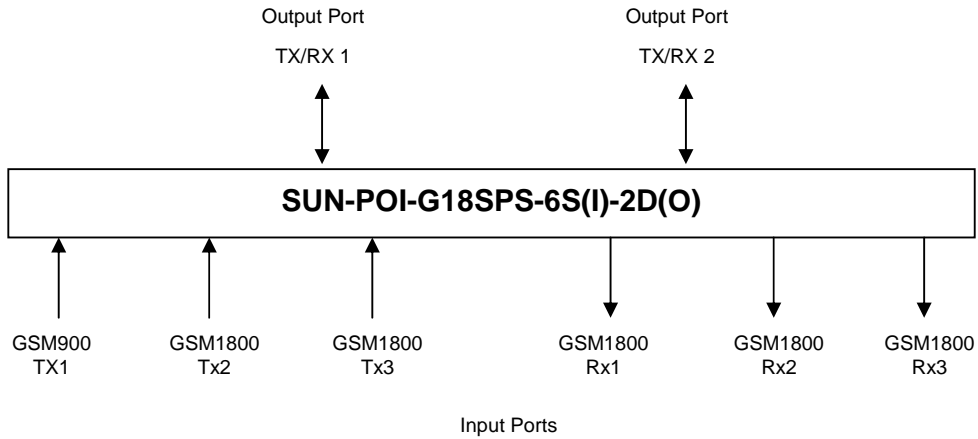


Sunny GSM1800(SPS) For 3 Operators

Model : SUN-POI-G18SPS-6S(I)-2D(O)

A) Block Diagram



B. Technical Specification

Model	SUN-POI-G18SPS-6S(I)-1D(O)
Frequency Per Input Port	
GSM1800 Tx1	1835.1-1845.1MHz
GSM1800 Tx2	1845.1-1855.1MHz
GSM1800 Tx3	1865.1-1875.1MHz
GSM1800 Rx1	1740.1-1750.1MHz
GSM1800 Rx2	1750.1-1760.1MHz
GSM1800 Rx3	1770.1-1780.1MHz
Total Power	
Per Tx Port	100W
Per Rx Port	10W
Insertion Loss	< 4.5dB
Return Loss	> 18dB
Isolation	
Tx/Tx	>23dB
Rx/Rx	>23dB
Tx/Rx	>70dB
Intermodulation	< -150 dBc
Mechanical	
Connectors	7/16 Female
Impedance	50Ω
Operating Temperature	-10 to 80°C
MTBF	200,000 hours
Material	Casing – Steel With Zinc Coating (Black Color)
Mounting	Wall Mount
Dimensions (LxWxH)	TBAL
Weight	20Kg

Technical data are subjected to change without notice – File : SUN-POI-G18SPS-6S(I)-2D(O) beta.doc